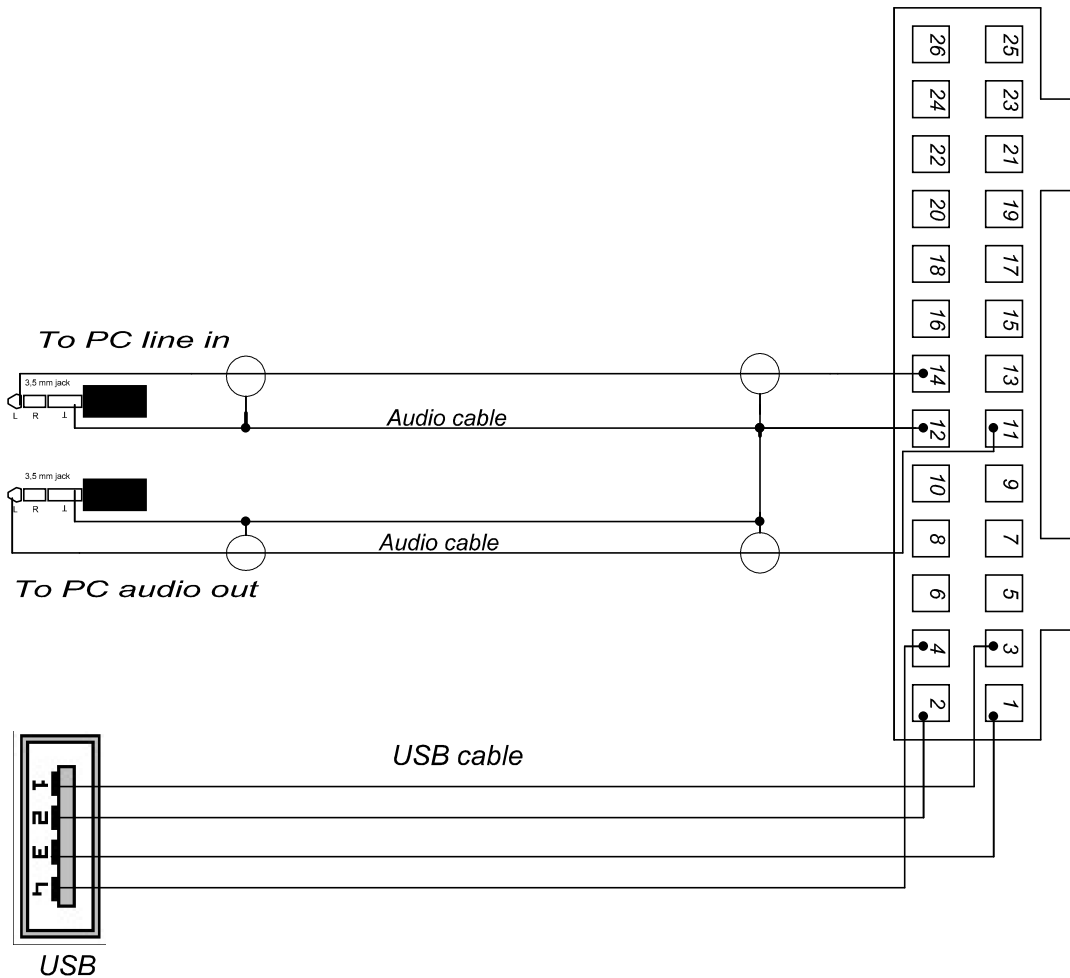


Connecting Cable MOTOTRBO radios to radioserver TRBOnet.



MOTOTRBO Mobile Accessory Connector kit PMLN 5072A
or
MOTOTRBO Mobile Programming Cable PMKN4010A

Pin#	Assignment	Description
11	Tx Audio	Analog audio input. It is normally used as an auxiliary microphone input.
12	GND	Ground return for audio.
14	Rx Audio	Analog audio output with filtered or unfiltered receiver audio.

Pin#	Assignment	Description
1	D + (USB)	USB data input/output (I/O) line.
2	D - (USB)	USB data input/output (I/O) line.
3	Vbus (USB, 500 mA)	Source voltage for the USB. The operational voltage is regulated at 5V and current limited to 500mA. Note the third party peripheral will act as the USB Host and the radio will act as the USB Device. Therefore the third party peripheral must supply the power on Vbus.
4	GND	Ground return for USB.

